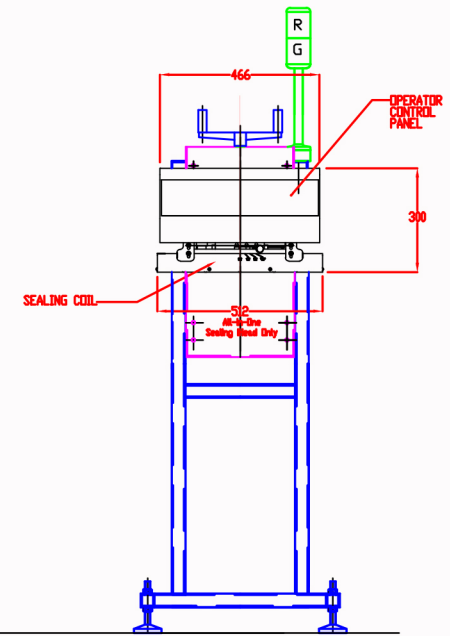
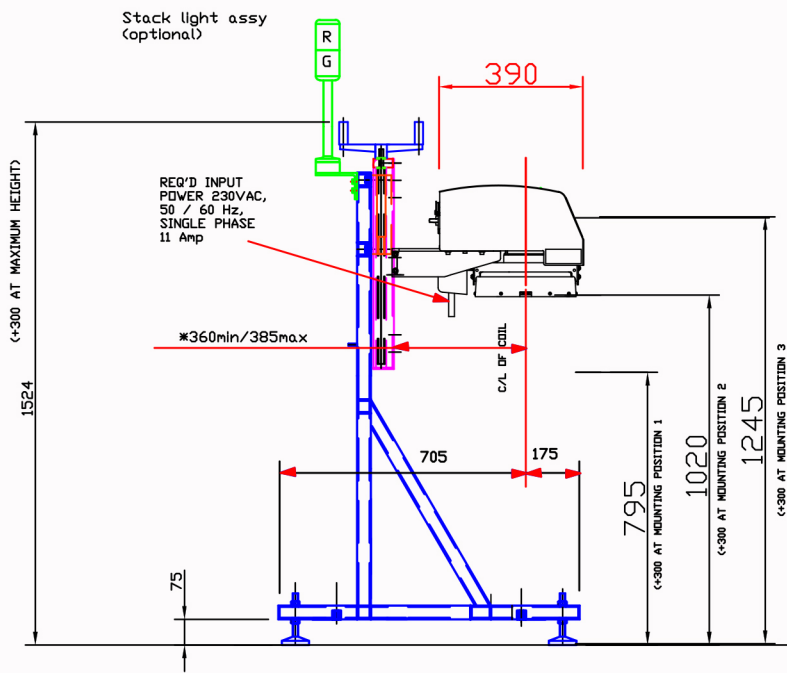
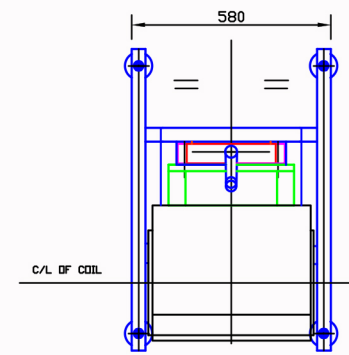


THIS DRAWING IS FOR BASIC INFORMATION ONLY AND IS SUBJECT TO CHANGE—SPECIFIC DRAWINGS FOR DETAILED ORDERS AVAILABLE UPON REQUEST.

NOTE: OPTIONAL SENSOR ARMS NOT SHOWN IN THIS VIEW



Title
Installation Drawing
Super Seal 300/400/600



Enercon Industries Ltd
64 Edlson Road, Aylesbury
Bucks U.K. HP19 8UX
Tel: 0044 (0)1296 330542
Fax: 0044 (0)1296432098
e-mail: info@enerconind.co.uk

Contract No.
Drawing No.
601/ Super Seal 300/400/600
Issue 1 01-12